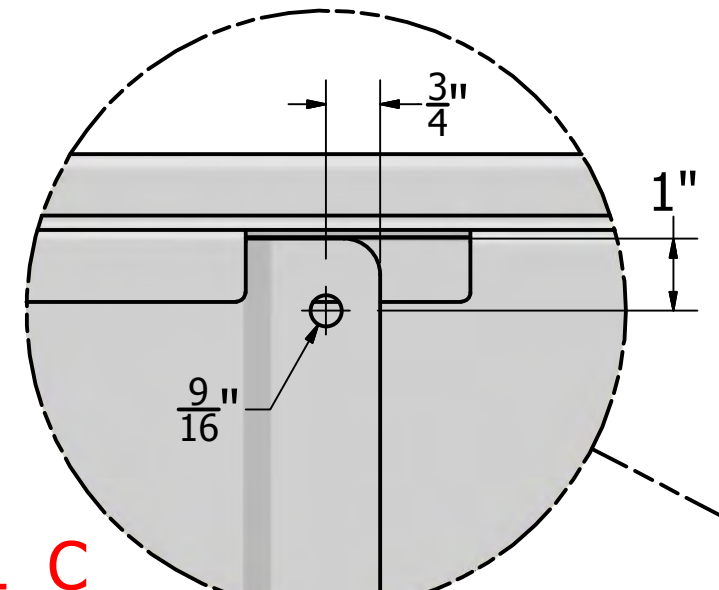
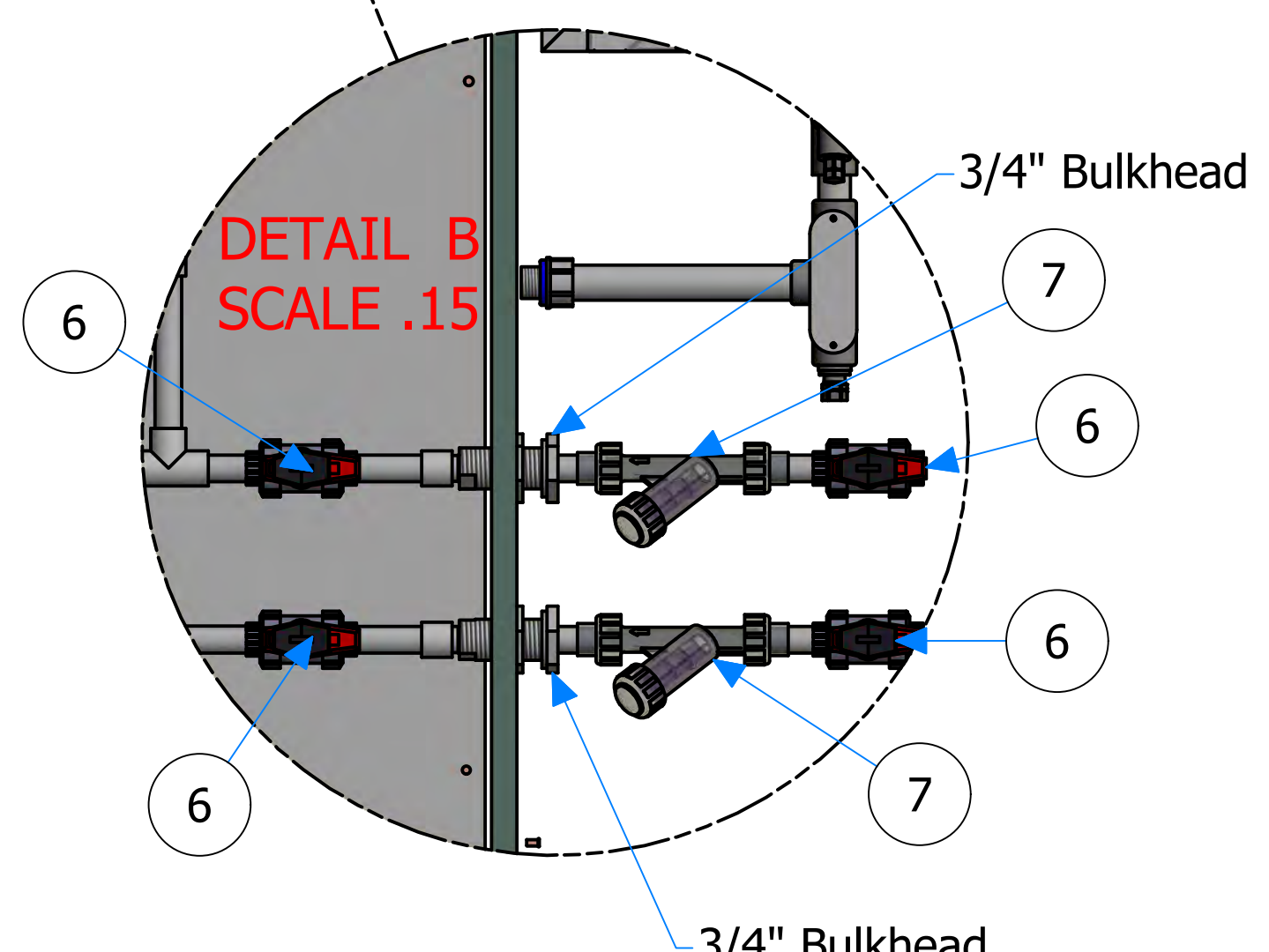
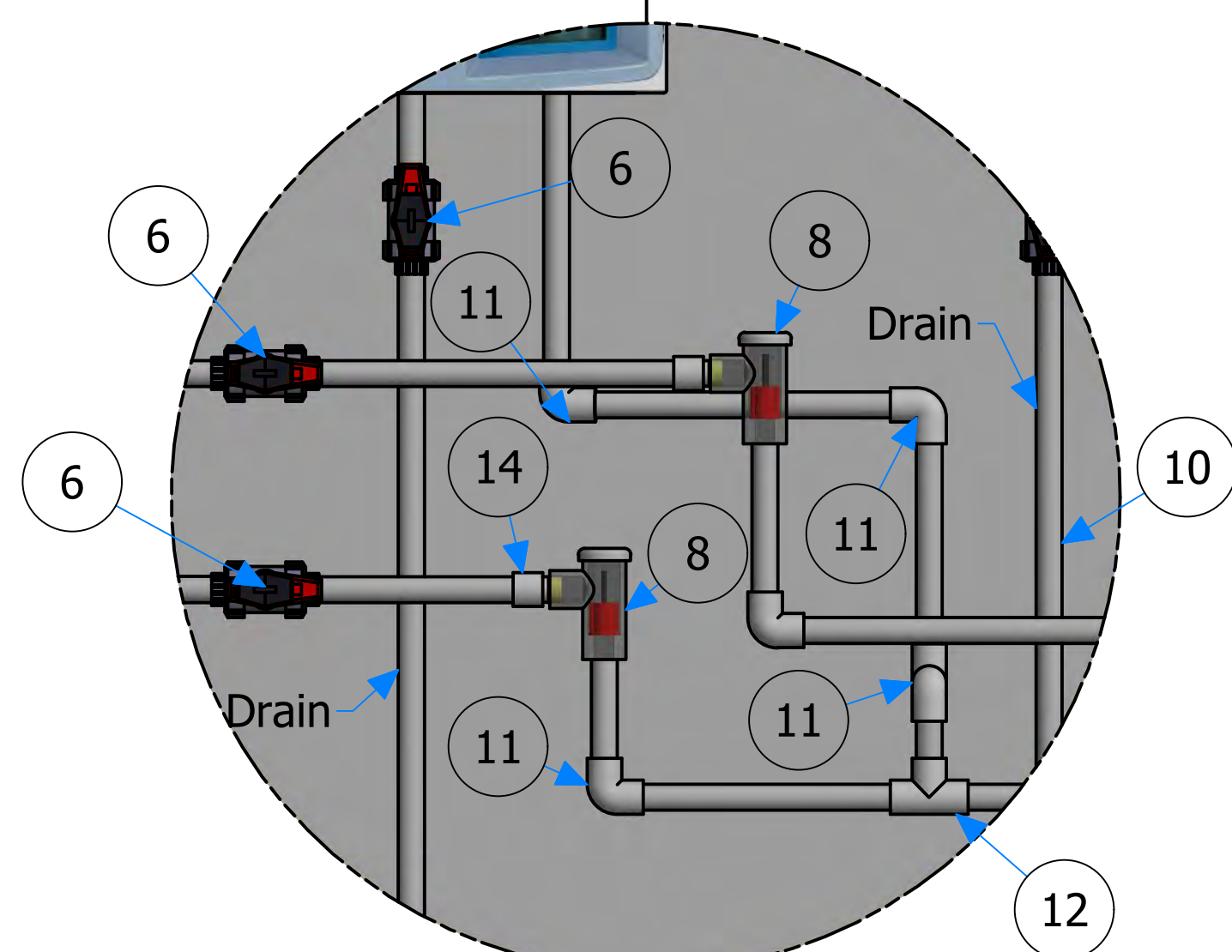
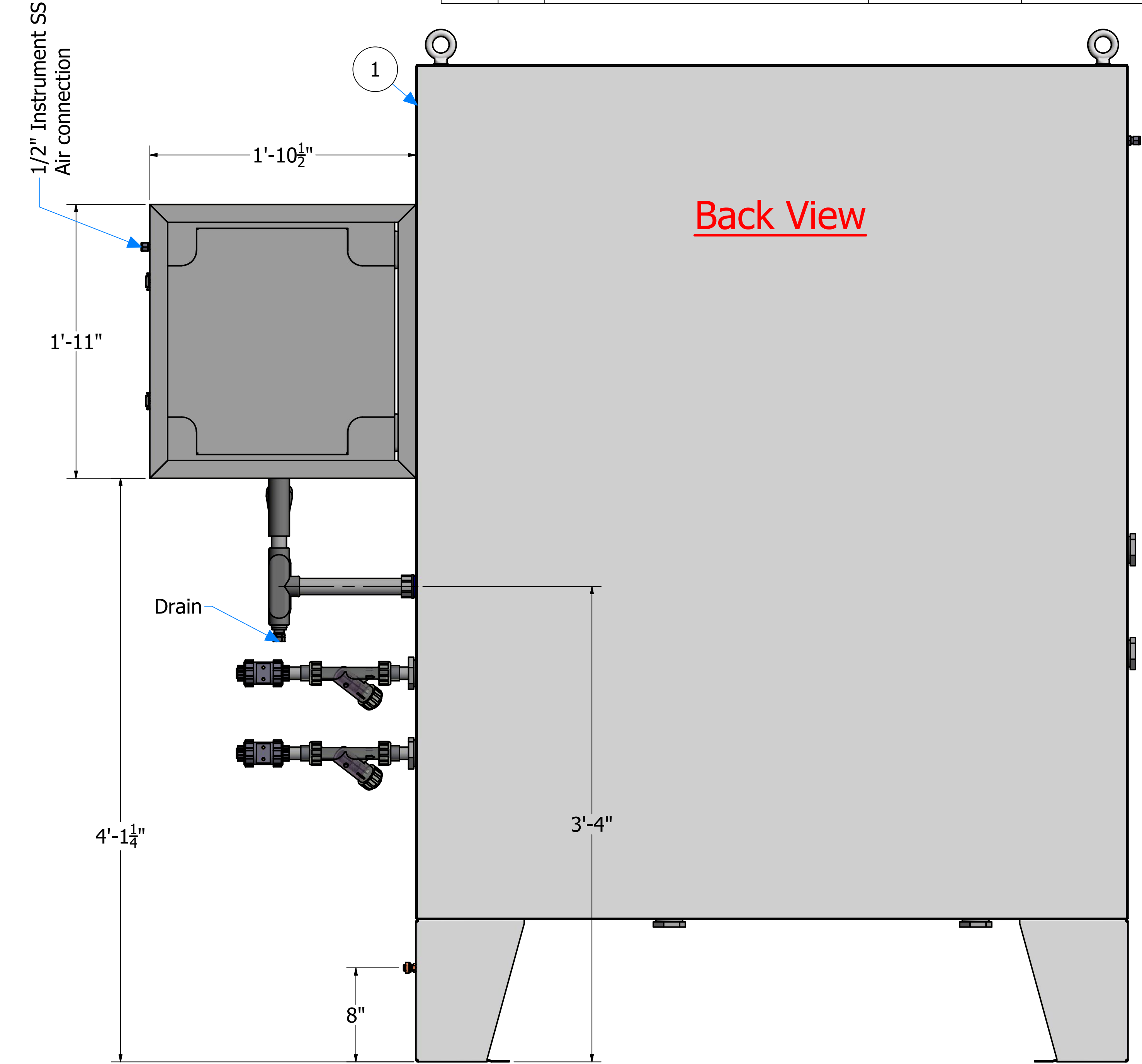
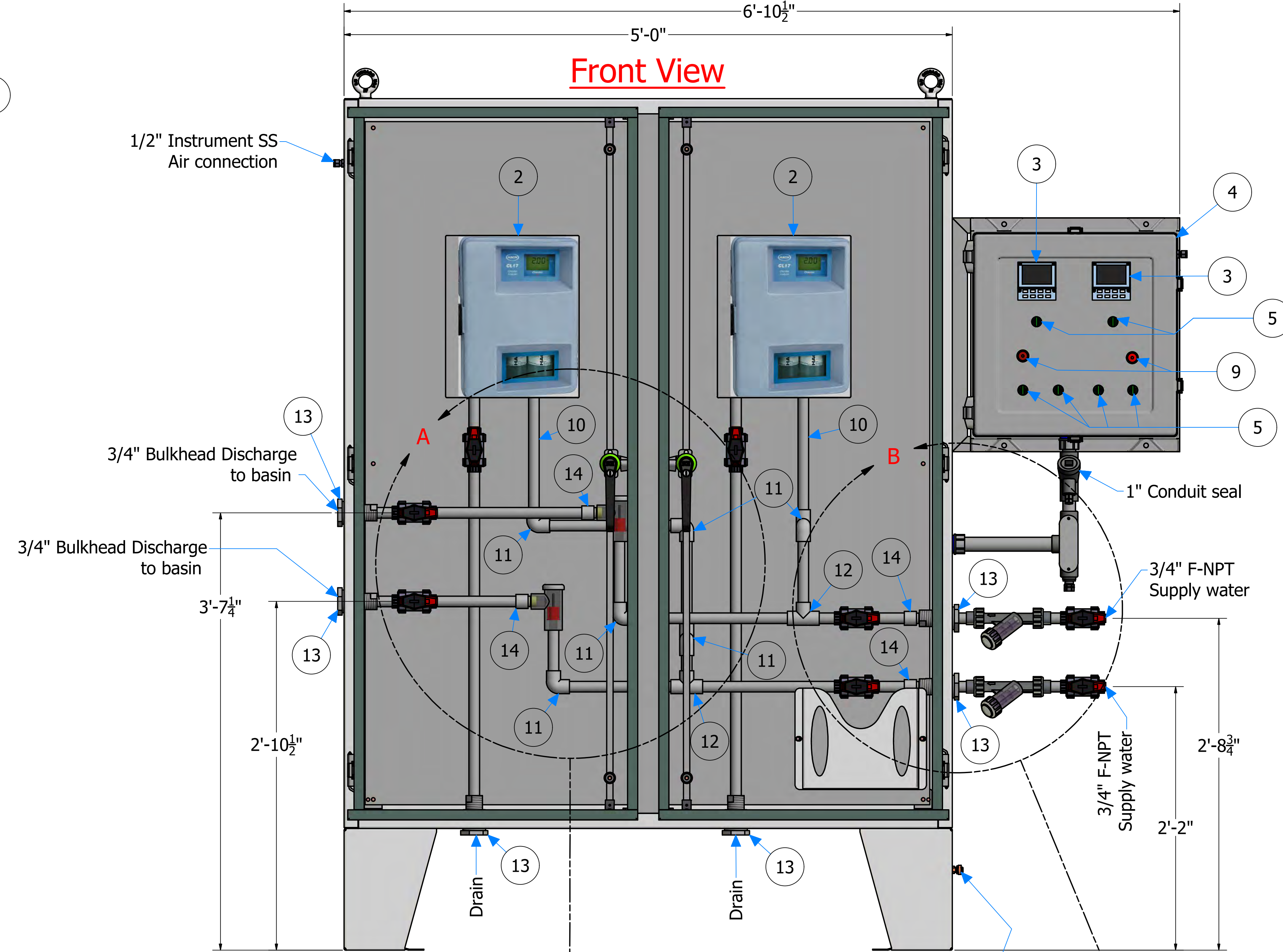
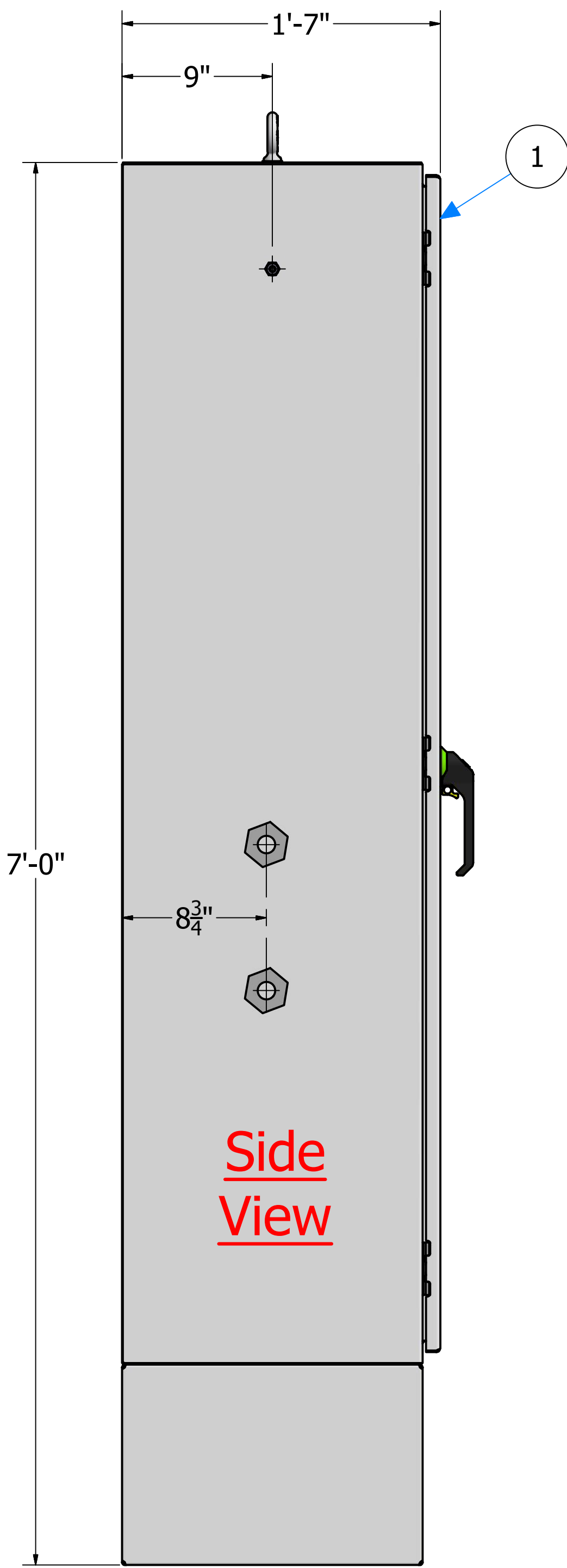
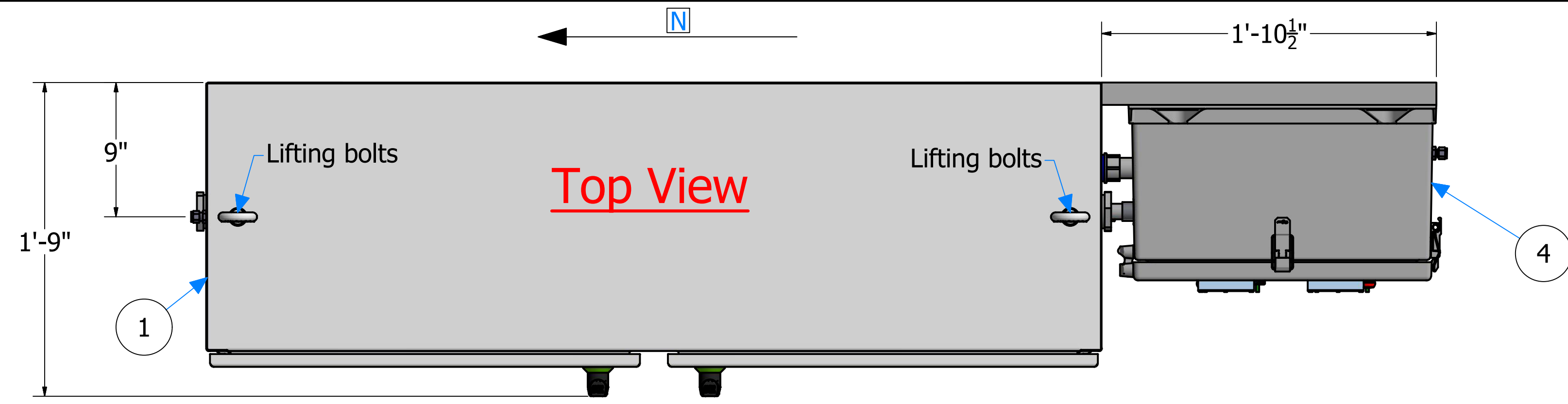
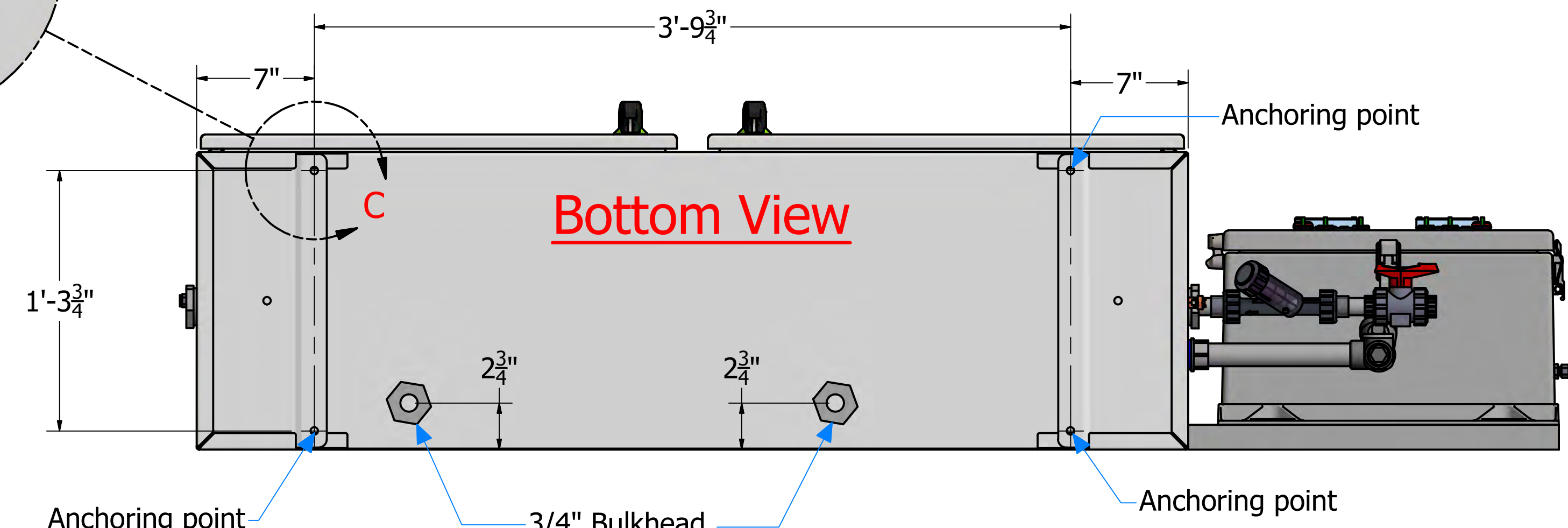


ITEM #	QTY.	DESCRIPTION	MANUFACTURER	MODEL
1	1	STAINLESS STEEL ENCLOSURE	HOFFMAN	SCE-72EL6018SSLPLP
2	2	CL17 CHLORINE ANALYZER	HACH	544001
3	2	PROCESS CONTROLLER	HONEYWELL	UDC3500
4	1	ENCLOSURE	HOFFMAN	A20H2010GQRLP
5	2	2 POSITION SWITCH	ALLEN BRADLEY	800TC-H2D1
6	8	3/4" CPVC Ball Valve	+GF+	U51TB-V
7	2	3/4" Y STRAINER	ASAHI	AA1257007
8	2	FLOW SWITCH	WALCHEM	190997
9	2	30 MM Pilot Light (Red)	Allen Bradley	1SFA619402R5135
10	25'	3/4" CPVC Sch 80 pipe	CCS	.75-CPVC-80-PIPE
11	7	3/4" 90's CPVC Sch 80	CCS	.75-CPVC-80-90
12	2	3/4" Tee's CPVC Sch 80	CCS	.75-CPVC-80-TEE
13	6	3/4" Bulkhead CPVC Sch 80	CCS	.75-CPVC-80-BH
14	4	3/4" Male adapter CPVC Sch 80	CCS	.75-CPVC-80-MA



**DETAIL C**  
 (4) Anchoring points  
 Anchored down with  
 (4) 1/2" x 4" long 316ss anchors




Enclosure will be anchored down with 1/2" x 5 1/2" 316ss anchors.

NO.	DATE	BY	APP.	DESCRIPTION
REVISIONS				
DESIGNED BY				
DRAWN BY				
CHECKED BY				
APPROVED BY				
QUALITY BY				
DRAWING SCALE: 1:1				

Enclosure weight: 700lbs

CONTROL/MONITOR ENCLOSURE LAYOUT



CCS PROJECT NUMBER: \_\_\_\_\_ REVISION NO. 0

CCS DRAWING NUMBER: \_\_\_\_\_